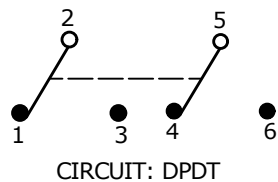
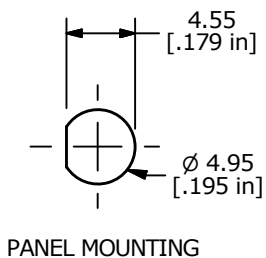
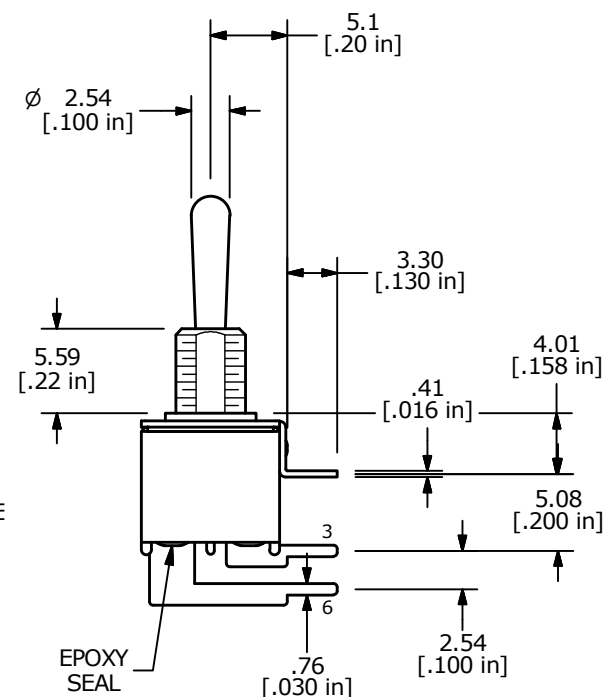
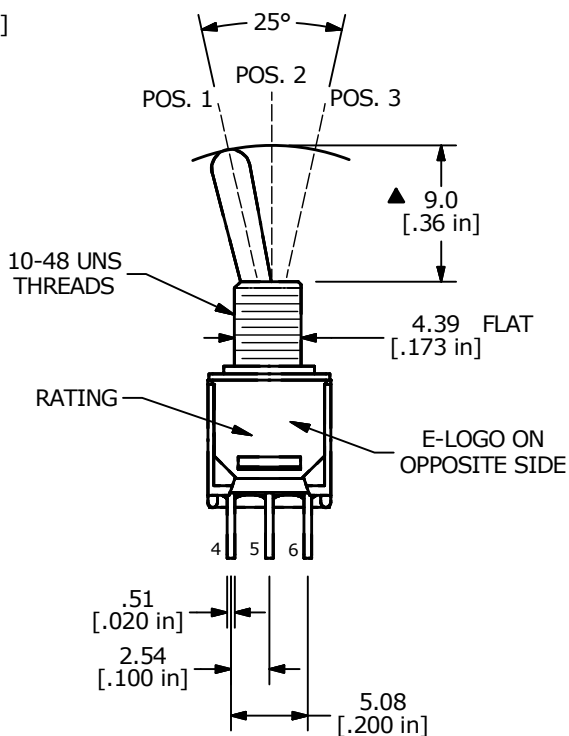


▲ SWITCH FUNCTION		
POS. 1	POS. 2	POS. 3
ON	OFF	ON
2-3, 5-6	OPEN	2-1, 5-4



- NOTE:
- ALL DIMENSIONS IN MM [INCH]
  - GENERAL TOLERANCE: X.X = ±0.4  
X.XX = ±0.25
  - TERMINAL NUMBERS FOR REF ONLY
  - ▲ PLATING MATERIAL: SILVER
  - RATING: 3A @120VAC or 28VDC  
1A @250VAC
  - ELECTRIC LIFE: 30,000 MAKE-AND-BREAK CYCLES AT FULL LOAD.
  - INSULATION RESISTANCE: 1,000 MEGA-OHM MIN.
  - DIELECTRIC STRENGTH: 1,000 V RMS @SEA LEVEL.
  - OPERATING TEMP.: -30°C to 85°C
  - ▲ DENOTES CRITICAL PARAMETER.
  - 2011/65/EU (ROHS) COMPLIANT
  - HARDWARE TO BE SUPPLIED IN BULK  
T200000 - LOCK WASHER QTY. 1  
T200002 - LOCK RING QTY. 1  
T200001 - HEX NUT QTY. 2



A	23072	RELEASED FOR PRODUCTION	11/15/17	MW
REV	PCR NO	DESCRIPTION	DATE	BY

TITLE 200MDP3T1B1M6QEH				
SCALE	DATE	DR	DWG	REV
2:1	11/6/2017	MW	ST221079	A

THE INFORMATION CONTAINED IN THIS DOCUMENT IS PROPRIETARY TO E-SWITCH AND IS NOT TO BE COPIED OR TRANSFERRED